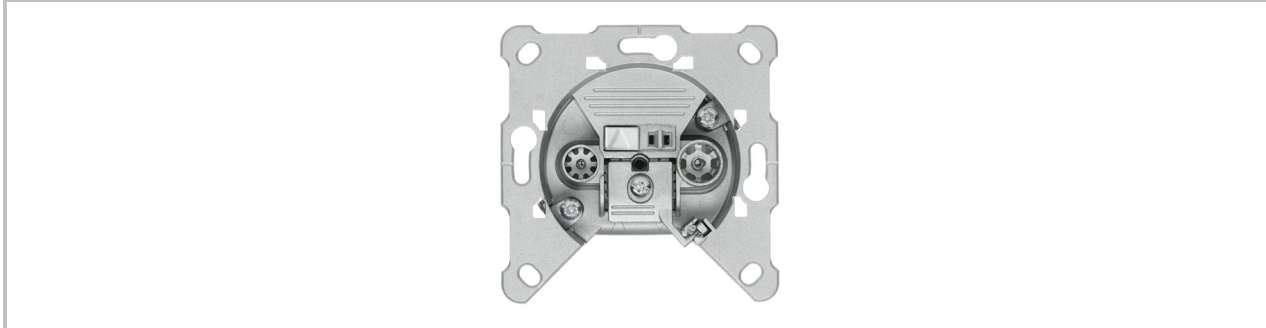


**EDU 04 F outlet 5...2400MHz terminated**  
**306111**



2-hole universal socket with pass-through frequency ranges for frequencies between 5...2150MHz in 2 outlets, IEC male and IEC female, thus flexible and future proof.

- Suitable for CATV and SAT IF domestic distribution installations
- 2 equal outlets (IEC male and IEC female) for various end devices
- Suitable for return channel
- Remote DC-feed via TV outlet (IEC male)

## Technical Specifications

### ORDER INFORMATION

EAN Number 5702663061118

### CHARACTERISTICS

Outlet Type Terminated

### SHIELDING

Shielding @ 30-300 MHz  $\geq 85.0$  dB  
 Shielding @ 300-470 MHz  $\geq 80.0$  dB  
 Shielding @ 470-1000 MHz  $\geq 75.0$  dB  
 Shielding @ 1000...2400 MHz  $\geq 55.0$  dB

### FREQUENCY

Frequency Range TV 5...2150 (2400) MHz  
 Frequency Range RF 5...2150 (2400) MHz

### LOSS

Through Loss IN-FM 4.0 dB  
 Through Loss IN-TV 4.0 dB  
 Through Loss IN-RF 4.0 dB

### ISOLATION

Isolation TV-FM 20.0 dB  
 Isolation TV-RF 20.0 dB

### RETURN LOSS

Return Loss IN 10.0 dB  
 Return Loss FM 18.0...12.0 dB  
 Return Loss TV 18.0...12.0 dB

### ELECTRICAL

Impedance 75  $\Omega$

### OPERATIONAL

Certification EN 50 083-1, EN 50 083-2, EN 50 083-4

EMC class	A
DC Passthrough TV	Yes (max. 24V / 0.5A AC/DC)
Operating temperature range	-25...+55 °C
Temperature - storage	-25...+55 °C
Temperature - shipping	-40...+70 °C
MTBF (mean time between failures)	>1.000.000 hours

#### CONNECTORS

Connector IN-OUT	Spring Clamp Termination
Connector TV	IEC-male (IEC 60 169-2)
Connector RF	IEC-female (IEC 60 169-2)
Adaptable Cable Diameters - Inner Conductor	0.58...1.15 mm
Adaptable Cable Diameters - F-female	0.6...1.13 mm
Adaptable Cable Diameters - Outer Conductor	3.7...5.8 mm
Adaptable Cable Diameters- Jacket	4.5...7.2 mm

#### MECHANICAL

Tensile Strength - Inner Conductor 1 (Ø)	> 25 @ 0.75mm N
Tensile Strength - Inner Conductor 2 (Ø)	> 50 @ 1.13mm N
Plug-in Strength - with ø 1,1	25 N
Material	Zinc die-cast
Weight (kg)	0.09 kg
Dimensions product (H x D x W)	70.6 x 70.6 x 21.9
Dimensions carton (H x D x W)	142 x 75 x 229
Packaging Volume	0,000 m3
Net Weight	0,096 kg
Tara Weight	0,010 kg
Total Weight	0,106 kg
Packaging Height	0,040 m
Packaging Width	0,070 m
Packaging Depth	0,070 m